



# Type 3500/3600

## High Pressure Regulator

Accurate and reliable first cut pressure regulator in brass or 316 stainless steel



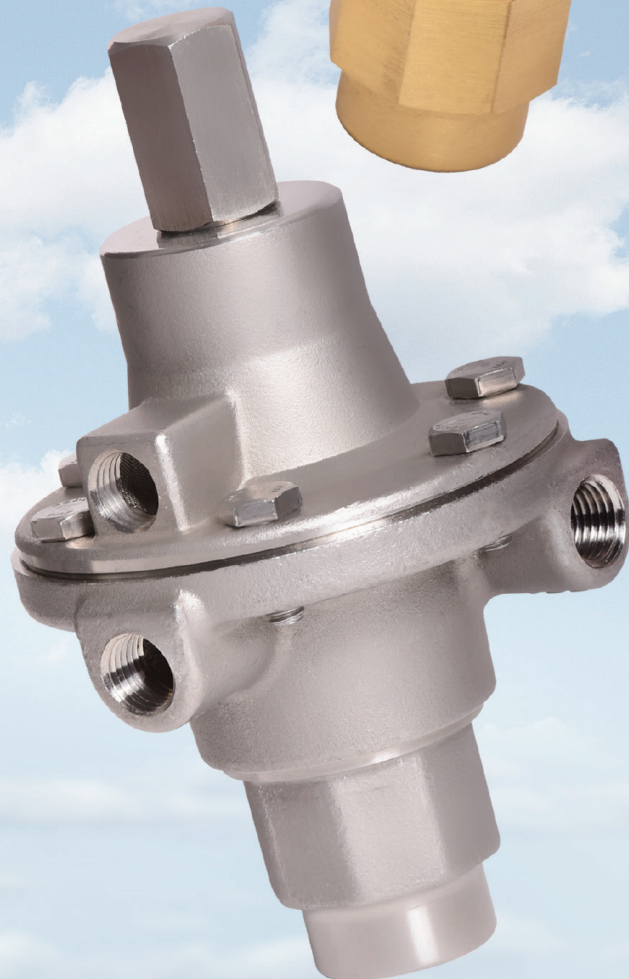
The Type 3500/3600 provides a low cost, dependable regulator to reduce inlet pressures from as high as 6000 psig (413 BAR) down to working pressures ranging between 0 and 225 psig (15.5 BAR). The Type 3500 is constructed of brass and the Type 3600 is constructed of 316 stainless steel. This first-cut regulator is available in three separate spring ranges. These versatile devices can be used as pilot supply where a high-pressure operating valve must be controlled by a gas regulator pilot. The Type 3500 is designed for use with noncorrosive gases. The Type 3600 is designed to meet NACE MR-0175 requirements for sour gas.

### Features

- **Choice of Three Output Pressures**  
0-125 psig (0-8.6 BAR), 0-150 psig (0-10.3 BAR), and 0-225 psig (0-15.5 BAR)
- **Choice of Three Output Ports**  
Provides plumbing flexibility for easy hookup
- **Socket Head or Tee Handle Adjustment**
- **Replaceable Valve Seat**  
Multi-seat rotating valve block provides up to 4 replacement sealing surfaces
- **High Maximum Inlet Pressure**  
Up to 6000 psig (413 BAR) inlet pressure
- **Type 3600 Meets NACE MR-0175 Requirements for Sour Gas Service**
- **Non-Relieving Design**

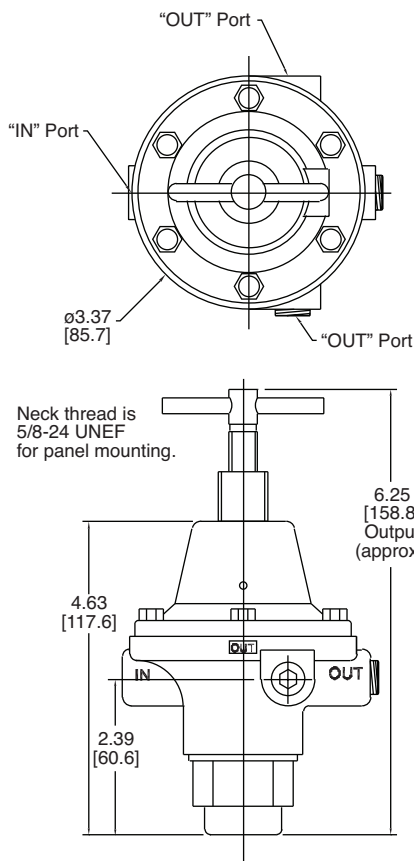
### Materials of Construction

|   | Type 3500           | Type 3600           |
|---|---------------------|---------------------|
| <b>Body, Bonnet, Bottom Plug, Cover</b> | Brass               | 316 Stainless Steel |
| <b>Diaphragm</b>                        | 302 Stainless Steel | Monel 400           |
| <b>Seals</b>                            | Nitrile, TFE        | PTFE, Fluorocarbon  |
| <b>Seat</b>                             | Nylon               | PTFE                |
| <b>Supply Nozzle</b>                    | 416 Stainless Steel | 316 Stainless Steel |
| <b>Range Spring</b>                     | Steel               | Stainless Steel     |



# Type 3500/3600 High Pressure Regulator

## Dimensions



## Specifications

### Type 3500/3600

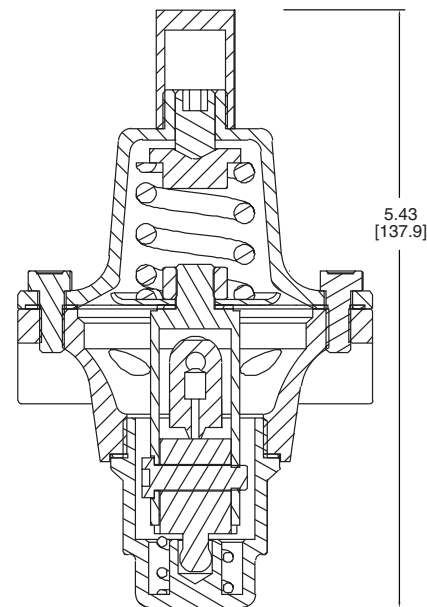
|                          |  |
|--------------------------|--|
| <b>Inlet Port</b>        | 1/4" NPT   |
| <b>Outlet Ports (3)</b>  | 1/4" NPT   |
| <b>Output Ranges</b>     | 0-125 psig (0-8.6 BAR), 0-150 psig (0-10.3 BAR), and 0-225 psig (0-15.5 BAR)                           |
| <b>Supply Pressure</b>   | 6000 psig (413 BAR) Maximum  |
| <b>Cv Value</b>          | 0.13   |
| <b>Temperature Range</b> | <b>Type 3500:</b> -70° to 225° F (-57° to 107° C)<br><b>Type 3600:</b> -40° to 225° F (-40° to 107° C) |
| <b>Weight</b>            | 3.25 lb (1.5 kg)   |

## Ordering Use this coding system to order

|                                |             |                     |   |
|--------------------------------|-------------|---------------------|---|
| <b>Model</b>                   | <b>3500</b> | Brass               | ■ |
|                                | <b>3600</b> | 316 Stainless Steel | ■ |
| <b>Adjustment</b>              | <b>B</b>    | Socket              | ■ |
|                                | <b>C</b>    | Tee                 | ■ |
| <b>Output Range PSIG (BAR)</b> | <b>C</b>    | 0-125 (0-8.6)       | ■ |
|                                | <b>D</b>    | 0-150 (0-10.3)      | ■ |
|                                | <b>E</b>    | 0-225 (0-15.5)      | ■ |

## Flow Capacities of Air (SCFH)

| Spring Range | Outlet Pressure Setting |      | Inlet Pressure, psig (BAR) |          |          |          |           |            |            |
|--------------|-------------------------|------|----------------------------|----------|----------|----------|-----------|------------|------------|
|              | psig                    | BAR  | 100 (6.8)                  | 250 (17) | 500 (34) | 750 (51) | 1000 (69) | 1500 (103) | 2000 (137) |
| 0-125        | 25                      | 1.71 | 290                        | 480      | 650      | 750      | 770       | 800        | 820        |
|              | 50                      | 3.42 | 400                        | 800      | 1000     | 1200     | 1300      | 1400       | 1500       |
|              | 75                      | 5.14 | 400                        | 900      | 1400     | 1600     | 1700      | 1800       | 1900       |
| 0-150        | 75                      | 5.14 | 350                        | 800      | 1300     | 1500     | 1600      | 1700       | 1800       |
|              | 150                     | 10.3 | -                          | 1000     | 1800     | 2300     | 2600      | 2800       | 3000       |
| 0-225        | 150                     | 10.3 | -                          | 900      | 1700     | 2200     | 2250      | 2750       | 3000       |
|              | 225                     | 15.4 | -                          | 800      | 2100     | 2900     | 3500      | 4000       | 4500       |



**Warranty** ControlAir, Inc. products are warranted to be free from defects in materials and workmanship for a period of eighteen months from the date of sale, provided said products are used according to ControlAir, Inc. recommended usages. ControlAir, Inc.'s liability is limited to the repair, purchase price refund, or replacement in kind, at ControlAir, Inc.'s sole option, of any products proved defective. ControlAir, Inc. reserves the right to discontinue manufacture of any products or change products materials, designs or specifications without notice. Note: ControlAir does not assume responsibility for the selection, use, or maintenance of any product. Responsibility for the proper selection, use, and maintenance of any ControlAir product remains solely with the purchaser and end user. Drawing downloads available at [www.controlair.com](http://www.controlair.com)



8 Columbia Drive / Amherst, NH 03031 USA / [www.controlair.com](http://www.controlair.com) / [sales@controlair.com](mailto:sales@controlair.com) / 603-886-9400 / FAX 603-889-1844

An ISO 9001:2015 Registered Company

P/N 441-625-052 11/18