

Product Data Sheet
 118DS-10c
 02/27/04

External 2-Position Manual-Automatic Station

General

The external two-position manual automatic station is used for transferring the pneumatic control of a process from either manual operation to automatic operation or automatic operation to manual operation.

This station is designed for use with Series 5453, Model 624-II indicating controllers.

Solid state pneumatics eliminates all tubing and tubing connections for greater reliability.

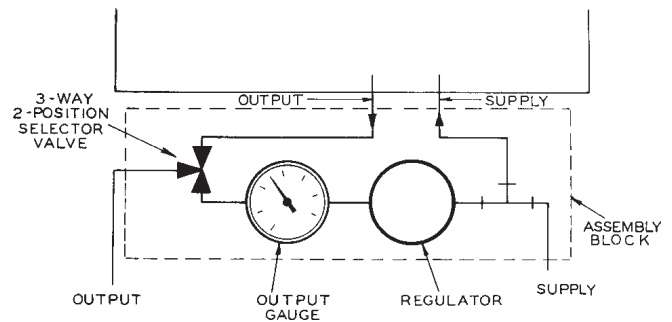
This design insures that only low copper bearing alloys come in contact with process.

Features

- Solid state pneumatics – No tubing
- All stainless steel and aluminum – low copper alloys
- Integral or remote mounting
- Easy installation – 2 screws
- Reliable T-bar switch
- Gas vent connection standard



Model 624 II



Schematic Piping Diagram



(front)



(rear)

Specifications

Supply Pressure
 20 psig

Regulator Output
 3-15 psig

Weight
 3 pounds

Air Consumption
 Less than .1 scfm

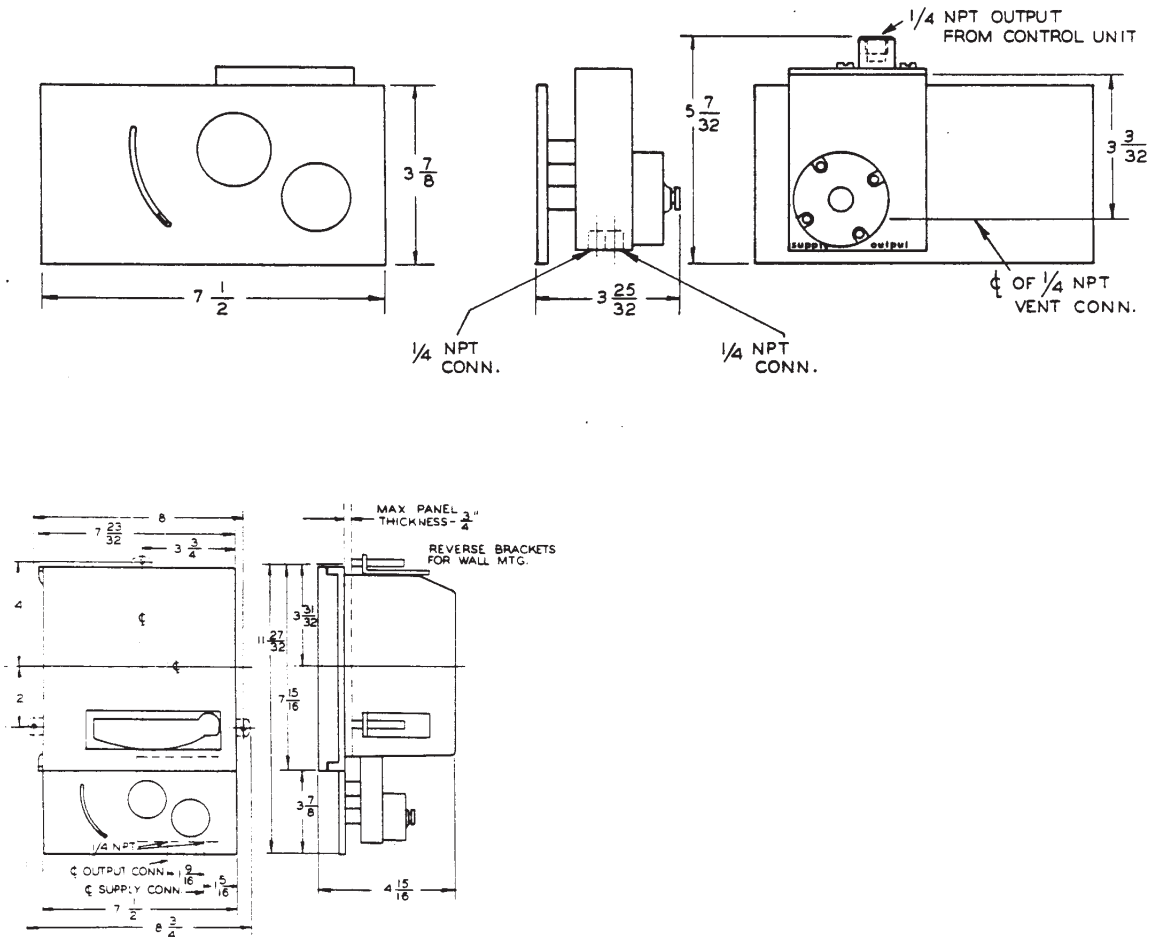
Piping Connection
 1/4" NPT

Ordering Information

Can be ordered as part of the model number string when purchasing a new 5453 instrument, or as a stand-alone product.

When ordering for "Direct" mounting to a 5453 series controller, specify **part no. 385276-01-0-KIT**.

When ordering for "Separate" surface or panel cut-out mounting where the end user mounts the unit and then pipes to the controller, specify **part no. 392781-01-8**.



U.S.A.
Bristol Babcock Inc.
1100 Buckingham St.
Watertown, CT 06795
Telephone: (860) 945-2200
Fax: (860) 945-2213

U.K.
Bristol Babcock Ltd.
Blackpole Road
Worcestershire, DY11 7QP., England
Telephone: 44-(0)-1905-856950
Fax: 44-(0)-1905-856969

Canada
Bristol Babcock Canada
234 Attwell Drive
Toronto, Ontario M9W 5B3
Telephone: (416) 675-3820
Fax: (416) 674-5129