



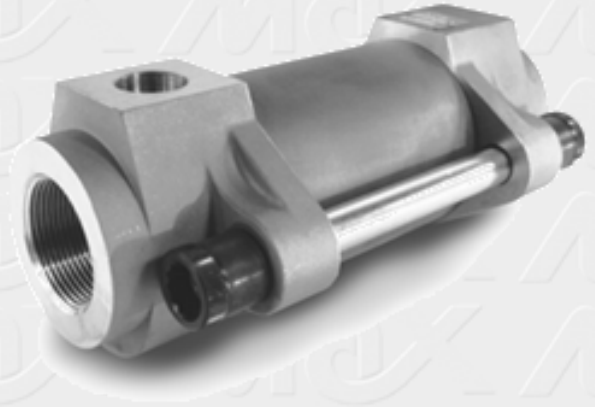
Max Machinery Inc.

Call Max today...
(707) 433-7281

Model 241 Helix Meter

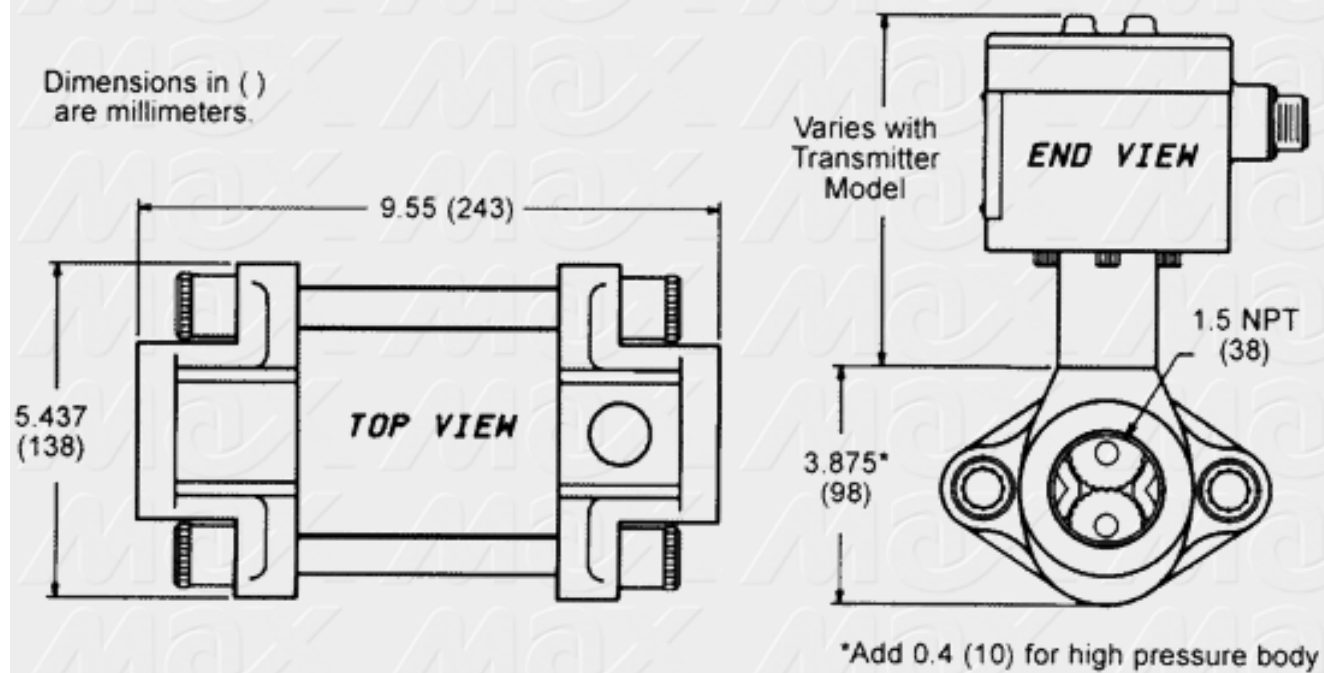
SPECIFICATIONS

- **Flow range at (3 cps):** to 189 liters/min (50 gpm)
 - **Maximum Operating Pressure:**
500 psi (35 Bar) - with standard NPT connection
3500 psi (240 Bar) - with customer supplied ANSI RF flanges*
 - **Displacement Per Revolution:** 0.016 gal (0.062 liters)
 - **Weight:** 30 lbs. (13.6 kg)
 - **Recommended Filtration:** 100 mesh (150 micron)
 - **Connections:**
1-1/2" (38 mm) NPT - standard
1-1/2" (38mm) customer-supplied ANSI RF flanges - optional*
 - **Heat traceable bodies available**
 - [Go to Linearity Curve](#)
 - [Go to Viscosity / Pressure drop curve](#)
 - [Go to Output Signal choices \(Transmitters\)](#)
- *Consult factory for specifications*



MATERIALS OF CONSTRUCTION

- **Body:** Stainless Steel, type 303
- **Rotors:** Hard anodized aluminum or stainless steel, type 303
- **Bearings:** Stainless steel, type 440C
- **Seals:** Viton® "O"- rings - Standard
Teflon®, Neoprene, Nordel®, Buna N Seals - optional

PHYSICAL DIMENSIONS

Max Machinery Inc., 1420 Healdsburg Ave., Healdsburg, CA 95448 USA

Phone: (707) 433-7281 Fax: (707) 433-0571

All pages and graphics Copyright© 1998 Max Machinery Inc.

Nordel® and Viton® are registered trademarks of DuPont Dow Elastomers.

Teflon® is a registered trademark of DuPont.