



Max Machinery Inc.

Call Max today...
(707) 433-7281

Model 221 Gear Meter

SPECIFICATIONS

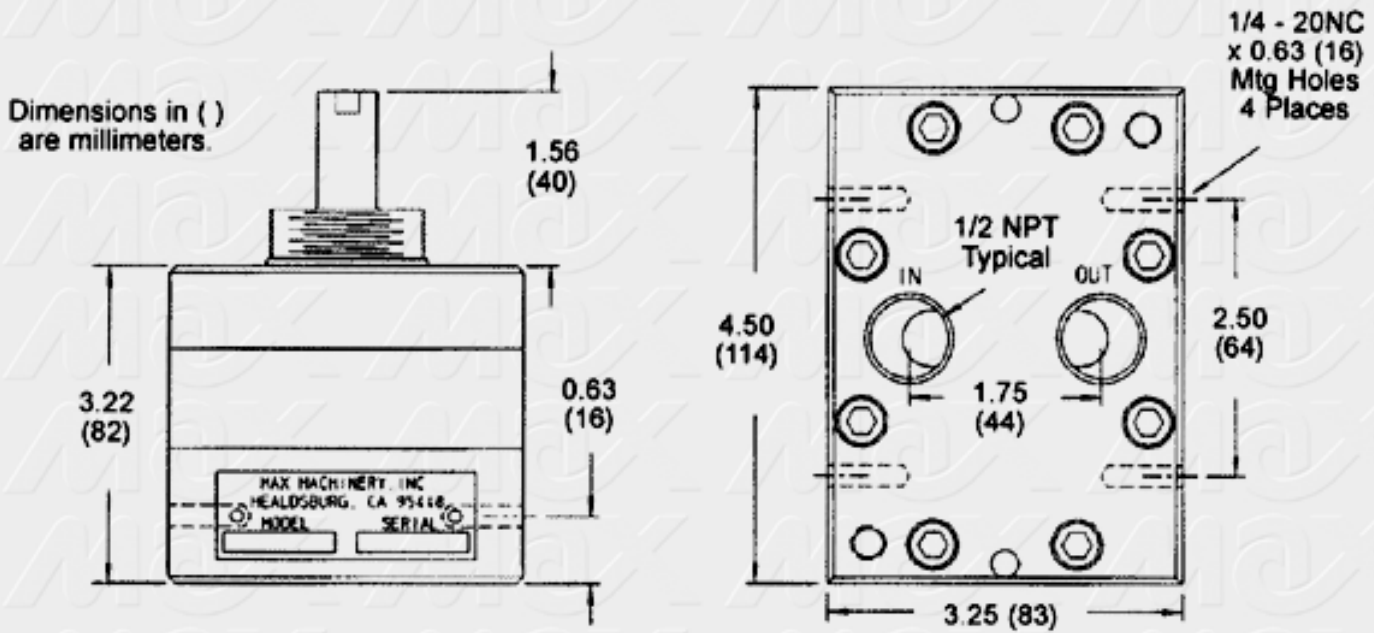
- **Flow range at (100 cps):**
0.38 to 19 liters/min (5 gpm)
- **Maximum Operating Pressure:**
1500 psi (105 Bar) - standard
3000 psi (210 Bar) - optional
- **Displacement by revolution:** 23.5 cc/rev.
- **Weight:** 2.3kg. (5lbs)
- **Recommended Filtration:** 60 mesh (250 micron)
- **Connections:** 1/2" NPT standard
- **Fluids:** Most nonaqueous, organic liquids
- **Heat Traceable bodies:**
standard - 3000 psi
optional - 1500 psi version
- [Go to Linearity Curve](#)
- [Go to Viscosity / Pressure drop curve](#)
- [Go to Output Signal choices \(Transmitters\)](#)



MATERIALS OF CONSTRUCTION

- **Body:** Aluminum, anodized
- **Rotors:** Aluminum, hard anodized
- **Shafts:** Stainless Steel, type 416
- **Bearings:** Stainless steel, type 440C
- **Seals:** Viton® "O"-rings - Standard
Teflon®, Neoprene, Nordel®, Buna N Seals - optional

PHYSICAL DIMENSIONS



Max Machinery, Inc., 1420 Healdsburg Ave., Healdsburg, CA 95448 USA
 Phone: (707) 433-7281 Fax: (707) 433-0571

All pages and graphics Copyright© 1998 Max Machinery Inc.
 Nordel® and Viton® are registered trademarks of DuPont Dow Elastomers.
 Teflon® is a registered trademark of DuPont.