



Max Machinery Inc.

Call Max today...  
(707) 433-7281

## Model 214 Piston Meter

### SPECIFICATIONS

- **Flow range (at 3 cps):**  
40 to 10,000 cc/min (2.6 gpm)
- **Maximum Operating Pressure:**  
70 bar (1000 psi) - standard  
210 bar (3000 psi) - optional
- **Displacement:** 10.5 cc/rev (0.64 in<sup>3</sup>/rev)
- **Weight:** 2.8 kg (6.25 lbs)
- **Recommended Filtration:** 10 micron (1250 mesh)
- **Port Size:** 3/8" NPT - standard, #6 SAE - optional
- **Fluids:** Most non-aqueous, organic liquids
- **Heat Trace:** Fluid ports or electric heater - optional
- [Go to Linearity Curve](#)
- [Go to Viscosity / Pressure drop curve](#)
- [Go to Output Signal choices \(Transmitters\)](#)

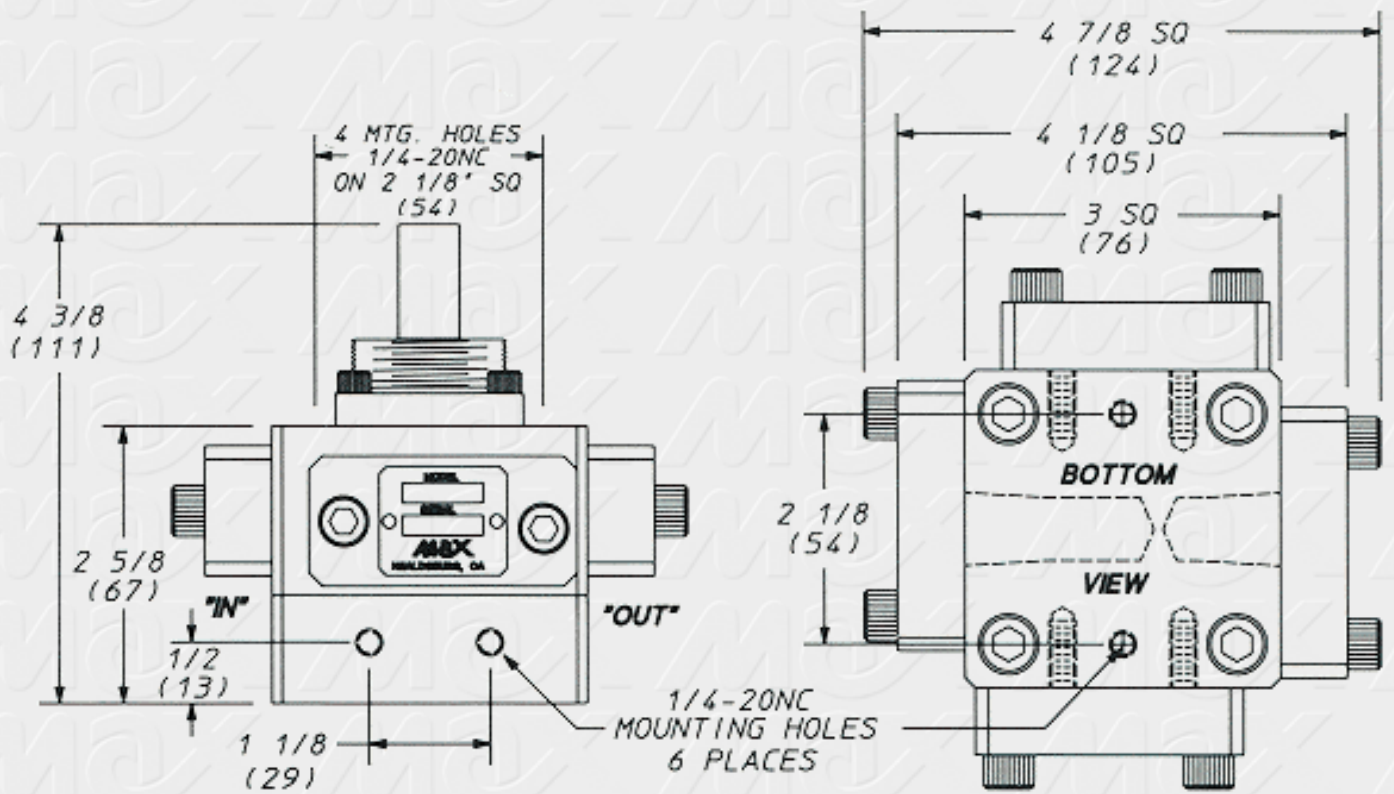


Model 214-4XX

### MATERIALS OF CONSTRUCTION

- **Body:** Stainless Steel, type 303
- **Pistons:** Stainless Steel, type 303
- **Crankshaft:** Stainless Steel, type 303
- **Bearings:** Stainless steel, type 440C
- **Seals:** Viton® "O"- rings - standard  
Teflon®, Neoprene, Nordel®, Buna N Seals - optional

### PHYSICAL DIMENSIONS



DIMENSIONS IN ( ) ARE MILLIMETERS

Max Machinery Inc., 1420 Healdsburg Ave., Healdsburg, CA 95448 USA

Phone: (707) 433-7281 Fax: (707) 433-0571

All pages and graphics Copyright© 1998 Max Machinery Inc.

Nordel® and Viton® are registered trademark of DuPont Dow Elastomers.

Teflon® is a registered trademark of DuPont.